

4

3

2

1

D

D

C

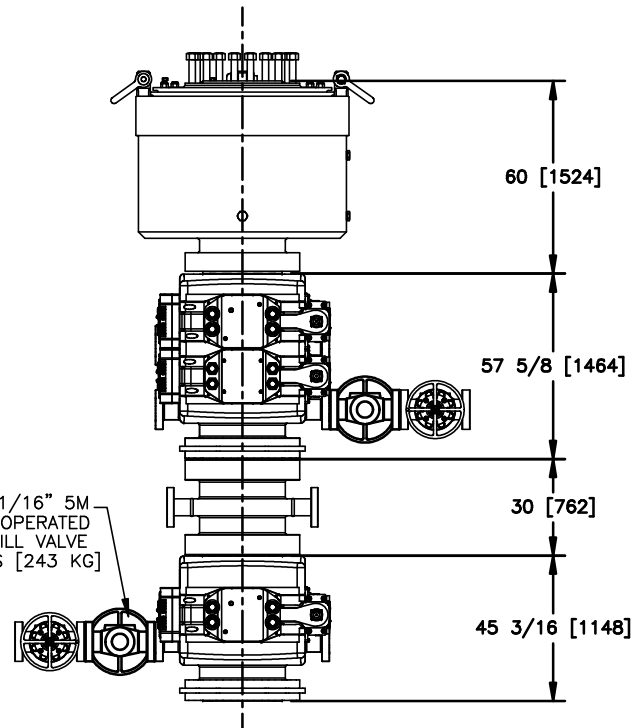
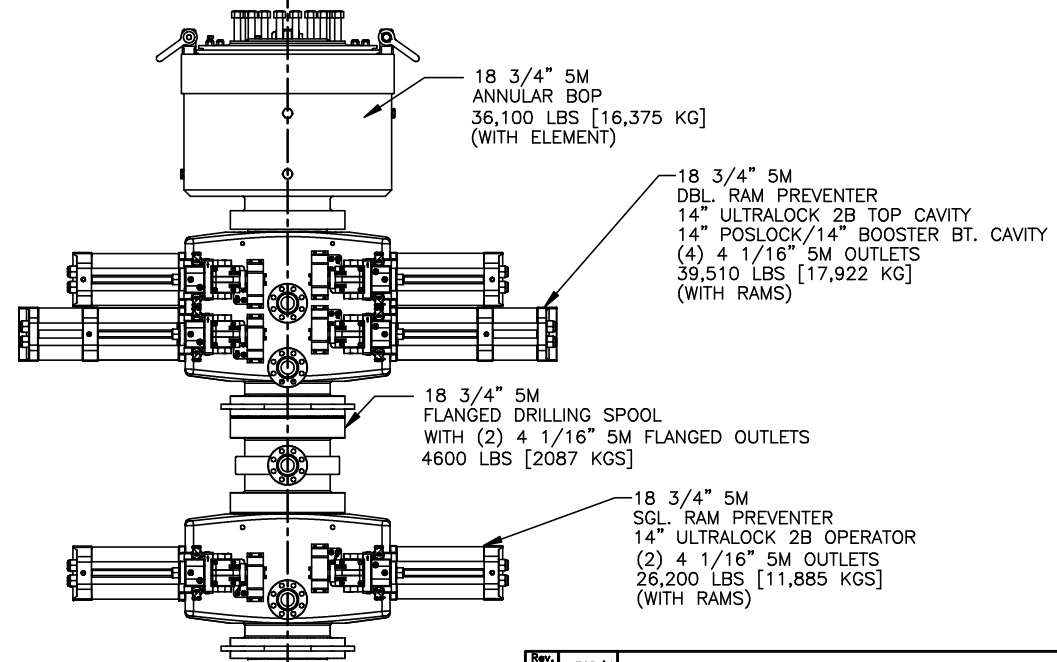
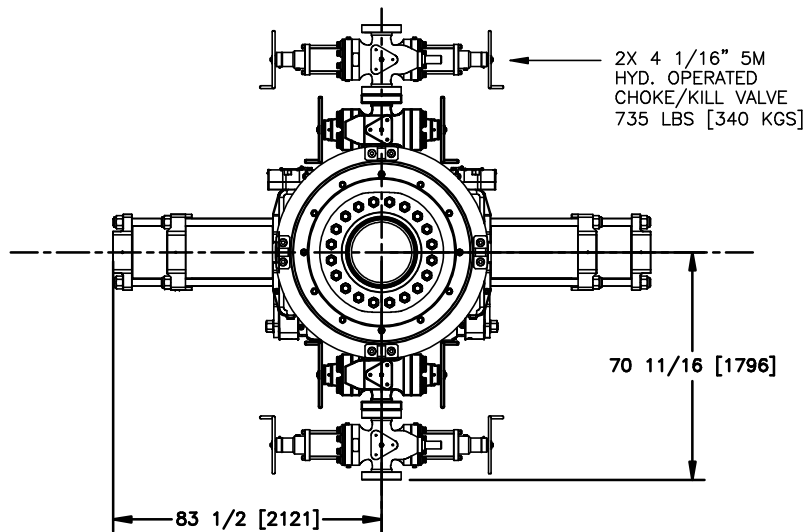
C

B

B

A

A



NOTES: U.O.S.
1. VALVES NOT SHOWN IN ALL VIEWS.
2. TOTAL APPROX. WT. AS SHOWN = 109,583 LBS [49,706 KGS]

NO MANUAL CHANGES
FILE: 20074352D 08/20/08

Rev. Ltr.	ECR/N	Revision Description		By	App'd	Date
		©SHAFFER, INC. Copyrighted as an unpublished work. ALL RIGHTS RESERVED. This work contains the CONFIDENTIAL AND PROPRIETARY INFORMATION of Shaffer, Inc. Neither this document nor any information disclosed herein shall be reproduced in any form, used, or disclosed to others for any purpose including manufacturing without the express written permission of Shaffer, Inc.				
		Material	N/A	Drawn	VB	Date 08/08
		Heat Treat	N/A	Checked	SG	08/08
		Unless Otherwise Specified	Unspecified Tolerances	Engineer	VB	08/08
		Dimensions Are in Inches	.X ± N/A	Release No.	99906	
		Do Not Scale Drawing	.XX ± N/A	Scale	1/30	
		All Dimensions in Parentheses () Are Reference	.XXX ± N/A	Est.Wgt.	NOTED	
		All Dimensions in Brackets [] Are Millimeters	Fractions ± N/A	Old Dwg.No.		
		Break All Sharp Corners	Finish N/A ✓	Sheet	1 of 1	
		Remove All Burrs	Angles ± N/A			
				Shaffer		
				Title GENERAL ARRANGEMENT, STACK, 18 3/4" 5M NXT, EKOFISK		
				C-20074352D		
				Rev. —		

4

3

2

1